

BADU[®] ECO-TOUCH

The **green** pump that saves you money

High
Performance



speck
pumps 

Lower Energy Costs

Lower Noise Levels

Lower Carbon Footprint

Sparkling Clean Pool

CONTINENTAL
WATER

Pool Products for Pure Enjoyment

BADU® ECO-TOUCH

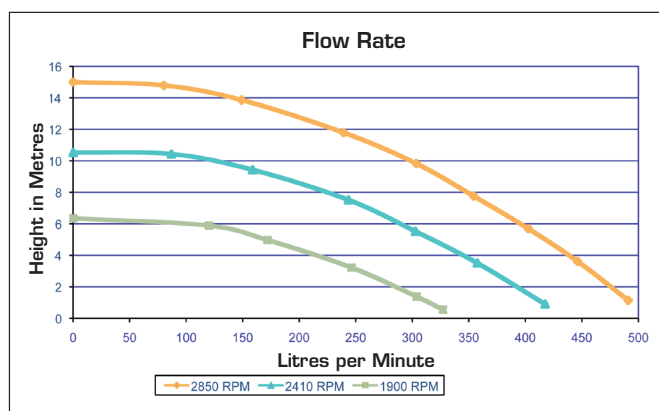
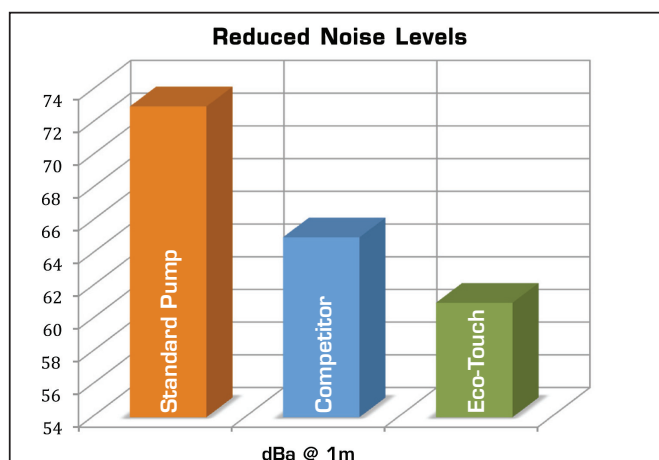
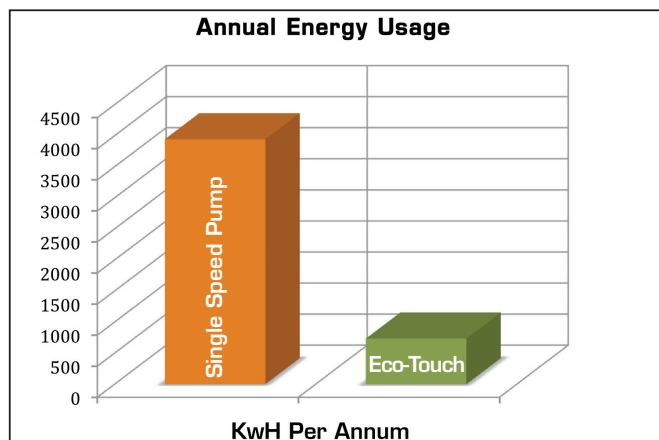
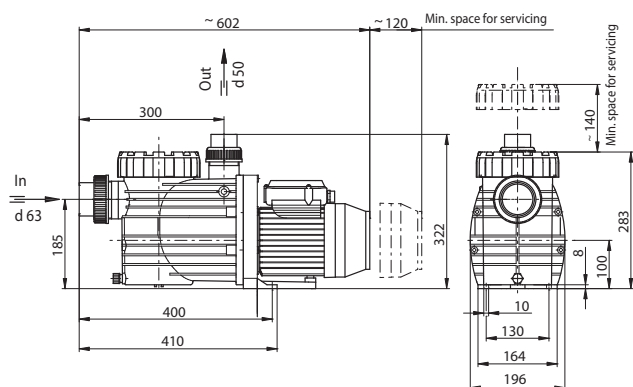
The green pump that saves you money

A sparkling, clean pool is no longer a drain on your pocket or the environment.

The Badu EcoTouch 3-speed pump decreases power usage and Carbon emissions, lowers energy costs and reduces noise levels – which keeps everyone happy.

- 3 speeds – 1900 rpm (filtration and circulation), 2410 rpm (manual vacuuming) or 2850 rpm (high speed for more efficient backwashing).
- Virtually noiseless at low speed.
- Significantly reduces energy usage depending on method of operation.
- Totally enclosed, fan cooled, permanent magnet brushless DC motor for simple servicing.
- Motor double sealed for total separation between the pool water and the pump shaft.
- German design and engineering combined for ultimate efficiency.
- Can be used for pool water with a salt level of up to 5000ppm.
- Corrosion resistant with the use of stainless steel shaft and high quality, 100% recyclable plastics.
- 2-part screw on/screw off lid.

By operating the revolutionary Badu Eco Touch pump across its three speeds, you can save over 80% of the energy consumed by running a normal 1hp pump.



WARRANTY

Five (5) year Factory Warranty on the following wet end components: Casing, Diffuser, Gland Housing, Impeller and Mechanical Seal. Two (2) year warranty on motor and in all commercial applications.



ABN: 71 050 287 735

e sales@continentalwater.com.au / accounts@continentalwater.com.au

New South Wales Office
a 5 Anvil Rd, Seven Hills 2147
t (02) 9838 8111
f (02) 9838 7030

Victorian Office
a 17/200 Canterbury Rd, Bayswater Nth 3153
t (03) 9720 4955
f (03) 9720 3304

Queensland Office
a 2/13 Geary Cresc, Molendinar 4214
t (07) 5527 8122
f (07) 5527 8533

