

DAVEY Celsior®



QUIET, HEAVY DUTY & ENERGY EFFICIENT

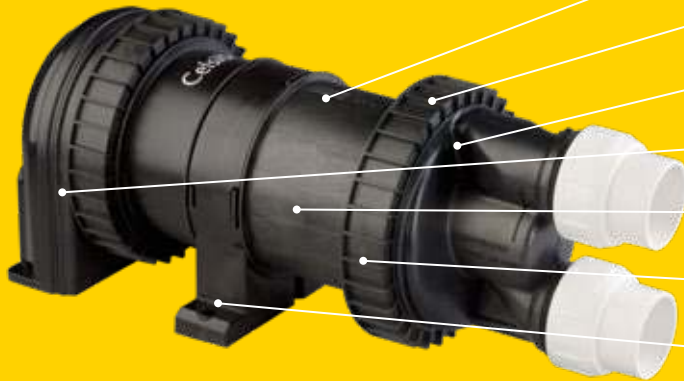
APPLICATION

Ideal for use in spa baths

SPA BATH PUMP

- Double insulated to water circuit and designed to exceed standards for electrical safety, with up to 5 safety devices that monitor environmental and pump conditions
- Up to 50% quieter than other pumps which provides a more enjoyable spa experience that will not disturb your well deserved relaxation or your neighbours
- With pumps as large as 2HP, and three unique patented features, Celsior pumps deliver greater water flow and pressure, enlivening your spa for a complete massaging effect
- Patented 'heat maintenance technology' uses motor heat to assist in maintaining the water temperature
- Environmentally friendly and highly efficient with up to 97% effective energy usage
- High efficiency impeller lowers running costs, delivering savings of up to 15% over older style spa bath pumps
- Unique impeller neck ring increases water pressure and flow
- Quick and easy to install using the Davey 'Flexibrax' which makes wall mounting possible with no extra parts and maximises the flexibility and space within your bathroom
- Designed to self-drain free of water after each use, prevents build up of stale unhygienic water for your peace of mind
- 'No water' protection prevents heater operation if the pump is run in the absence of water
- All Celsior models feature automatic shutdown protection if the pump is run without water or the suction is blocked
- Built-in automatic air bleed, enables air to be released from the pump, to assist priming performance in difficult installations

Spa Bath Pump



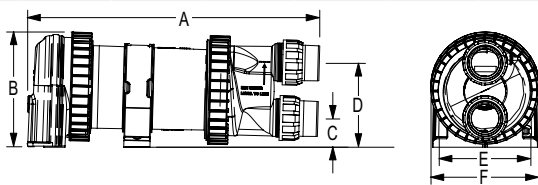
- Heat Recovery System
- Quiet, high quality and heavy duty design
- Unique impeller and neck ring
- Five separate safety devices inbuilt
- Double insulated to water circuit
- Compact and low profile design
- Flexibrax Mounting System

MATERIALS OF CONSTRUCTION

Part	Material
Pump casing	ABS
Impeller	Acetal
Impeller neck ring	Glass filled nylon
O-rings	Nitrile rubber
Shaft	Low carbon steel
Mechanical seal	
- Rotating face	Composite carbon
- Stationary face	Ceramic
Bearings	Full contact neoprene seal
Motor inner shell	304 stainless steel
Motor outer shell	Glass filled Noryl
Barrel unions	ABS

DIMENSIONS (mm)

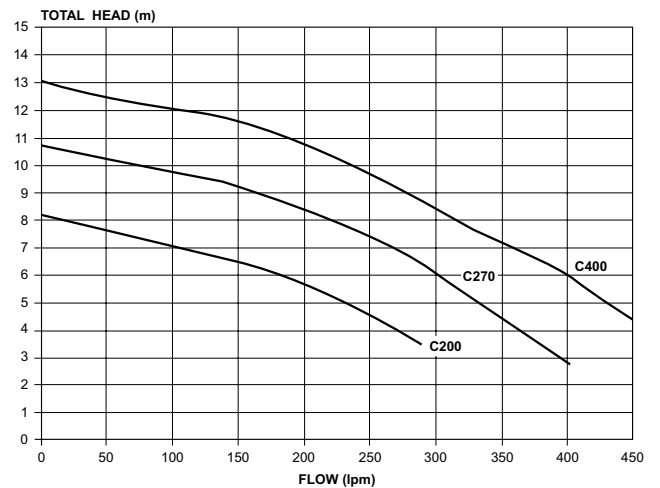
A	B	C	D	E	F	Pipe Work
450	175	41	126	135	165	40mm PVC



OPERATING LIMITS

Maximum water temperature	35°C
Maximum ambient temperature	50°C
Sound power levels	60dB (A)

HYDRAULIC PERFORMANCE



ELECTRICAL DATA

Model	C200A	C270A	C400A	C200AB	C270AB	C400AB	C200TB	C270TB	C400TB
Voltage (V)	220-250								
Supply frequency (Hz)	50								
Start current (A)	6.8	12.2	19.8	6.8	12.2	19.8	6.8	12.2	19.8
Run current (A)	3.0	3.9	6.5	3.0	3.9	6.5	3.0	3.9	6.5
Heater current (A)	-	-	-	4.2					
Total unit current (A)	3.0	3.9	6.5	7.2	8.1	10.7	7.2	8.1	10.7
Motor input power (W)	690	930	1500	690	930	1500	690	930	1500
Motor output power (W)	414	623	1050	414	623	1050	414	623	1050
Heater input (W)	1000								
Effective heating (W)	635	869	1410	1635	1869	2410	1635	1869	2410
Effective energy use (%)	92	93.4	94	96.6	96.8	96.4	96.6	96.8	96.4
Enclosure class (IP)	45								
Insulation class	F								
Approval No.	Q03981								